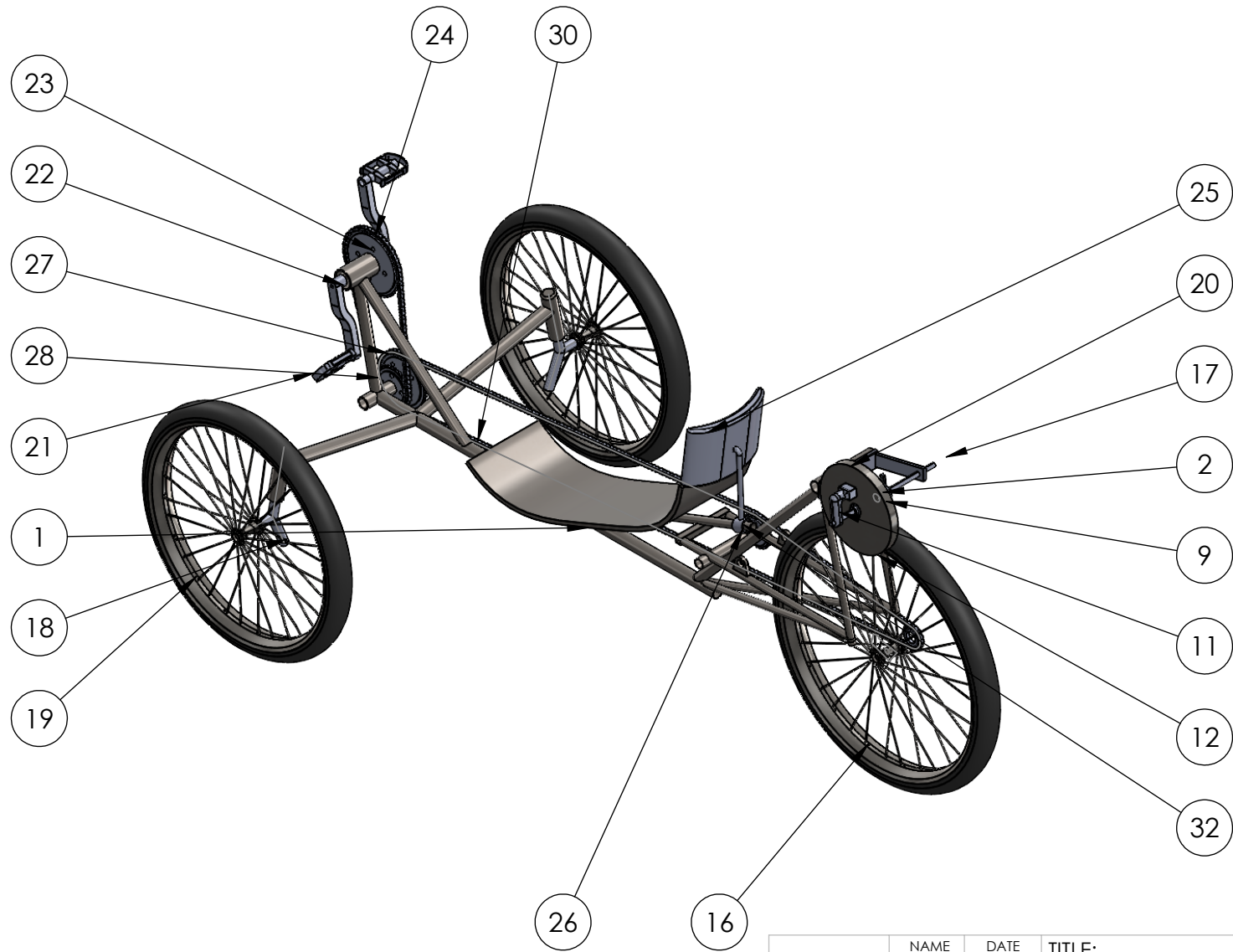


B

B

A

A



| | | | | | |
|--------------------|--|------------|----------|----------------------------------|--|
| DRAWN | | NAME | DATE | TITLE: | |
| ADVISOR'S APPROVAL | | HPVCP | 12/8/21 | <h1>HPV ASSEMBLY</h1> <h2>1</h2> | |
| COMMENTS: | | | | | |
| MATERIAL | | SIZE | DWG. NO. | REV | |
| | | A | HPV ASM. | | |
| | | SCALE:1:16 | WEIGHT: | SHEET 1 OF 4 | |

2

1

2

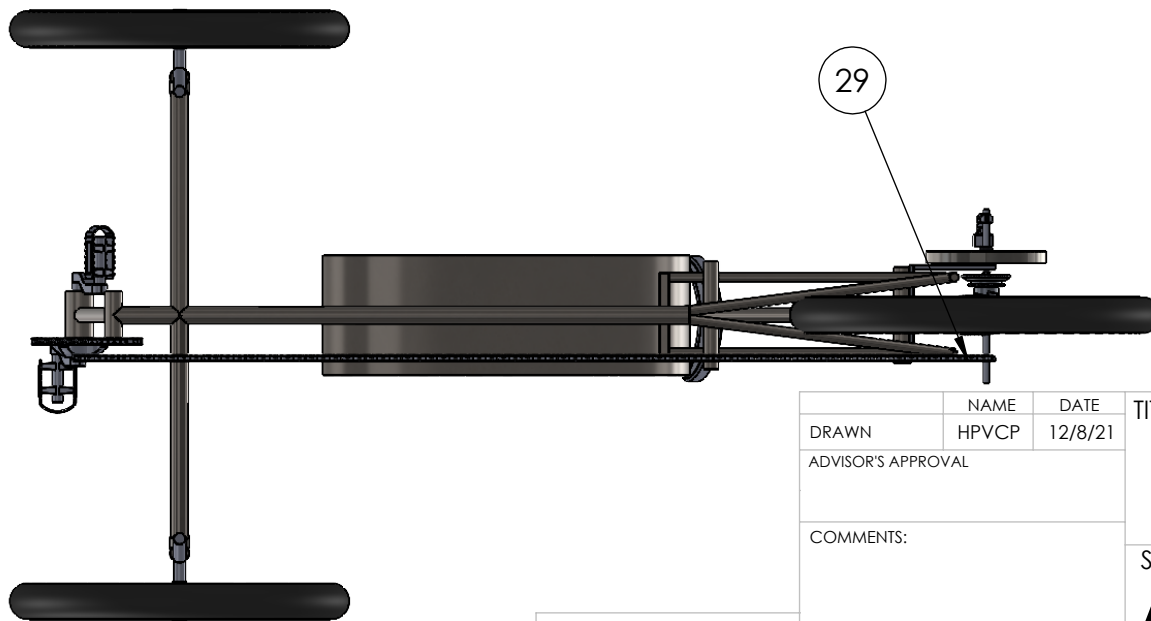
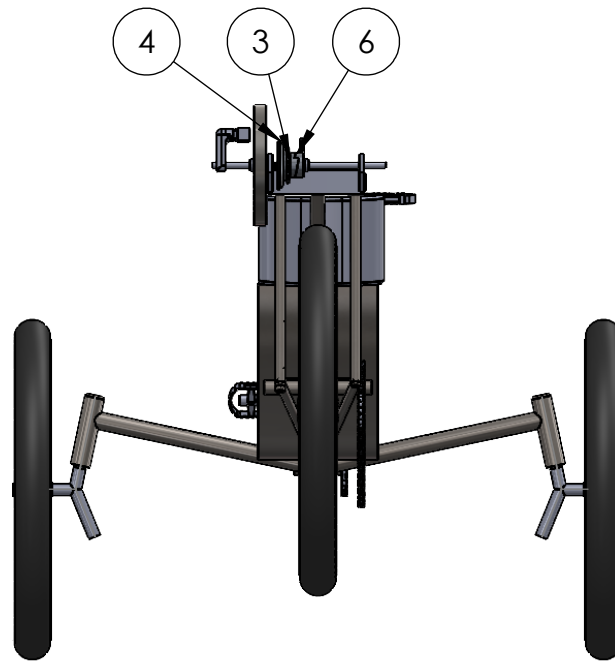
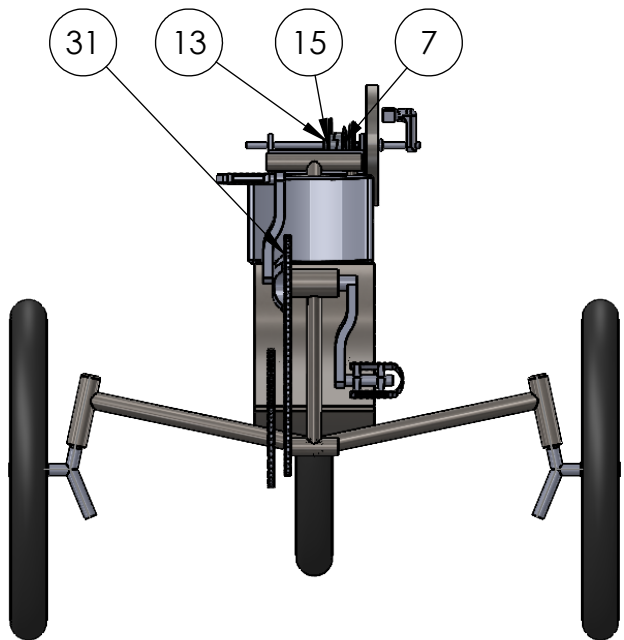
1

2

1

B

B



A

A

| | | |
|--------------------|-------|---------|
| | NAME | DATE |
| DRAWN | HPVCP | 12/8/21 |
| ADVISOR'S APPROVAL | | |

COMMENTS:

TITLE:
**HPV ASSEMBLY
2**

| | | |
|----------|-----------------|-----|
| SIZE | DWG. NO. | REV |
| A | HPV ASM. | |

MATERIAL

| | | |
|------------|---------|--------------|
| SCALE:1:16 | WEIGHT: | SHEET 2 OF 4 |
|------------|---------|--------------|

2

1

2

1

B

B

| ITEM NO. | PART NUMBER | DESCRIPTION | QTY. |
|----------|------------------------------------|-------------------|------|
| 1 | new_frame | Mashine shop | 1 |
| 2 | ME486C inner shaft 1 | D0.5" X L14.5" | 1 |
| 3 | ME486 sprocket 1 | D2.8" X W0.15" | 1 |
| 4 | ME486 FRICTION PLATE FIXTURE 1 | D4" X W0.87" | 1 |
| 5 | ME486C carrier bearing1 | D1.08" X W0.31" | 2 |
| 6 | ME486 TOP JAW | D2" X W0.75" | 1 |
| 7 | needle bearing | D1.56" X W0.1" | 1 |
| 8 | retaining clip | R0.57" X W0.04" | 1 |
| 9 | ME486 BOTTOM JAW | 3" X 2" X 0.75" | 1 |
| 10 | ME486C flywheel bearing1 | D1.33" X W0.44" | 2 |
| 11 | ME 486 Hall effect sensor mount | 4" X 2.75" X 1.5" | 1 |
| 12 | ME486 FLYWHEEL 1 | D12" X W1" | 1 |
| 13 | collar | D1" X W0.38" | 2 |
| 14 | ME 486 spring | D0.06" | 1 |
| 15 | grainger-4xfn2 | D1" X W0.1" | 1 |

A

A

2

1

| | | | | |
|--------------------|-----------------------------|---------|--------------|--|
| DRAWN | | NAME | DATE | TITLE: BILL OF MATERIALS 1 |
| ADVISOR'S APPROVAL | | | | |
| COMMENTS: | | | | |
| SIZE A | DWG. NO. HPV ASM. | | REV | |
| SCALE: 1:16 | | WEIGHT: | SHEET 3 OF 4 | |

MATERIAL

2

1

B

B

| ITEM NO. | PART NUMBER | DESCRIPTION | QTY. |
|----------|-------------------------|--------------------------------|------|
| 18 | Connection | Mashine Shop | 2 |
| 16&19 | Wheel Design 1&2 | Mashine Shop-CAD from Amazon | 2 |
| 20 | mount | 12" X 10" X 10" | 1 |
| 21 | Peddle | Mashine Shop | 2 |
| 22 | Peddle Rod | Mashine Shop | 1 |
| 23 | Peddle Rod For Sprocket | Mashine Shop | 1 |
| 24 | Sprocket for Peddle Rod | Mashine Shop-CAD from McMaster | 1 |
| 25 | Headrest | Mashine Shop | 1 |
| 26 | Rod for Headrest | Mashine Shop | 1 |
| 27 | Sprocket Driver | Mashine Shop | 1 |
| 28 | Sprocket Small | Mashine Shop | 1 |
| 29 | Sprocket Idle - Small | Mashine Shop | 1 |
| 30 | Link A | Mashine Shop | 203 |
| 31 | Link B | Mashine Shop | 203 |
| 32 | Sprocket Idle | Mashine Shop | 1 |

A

A

2

1

| | | | | |
|--------------------|-----------------------------|---------|--------------|--|
| DRAWN | | NAME | DATE | TITLE: BILL OF MATERIALS 2 |
| ADVISOR'S APPROVAL | | | | |
| COMMENTS: | | | | |
| SIZE A | DWG. NO. HPV ASM. | | REV | |
| SCALE: 1:16 | | WEIGHT: | SHEET 4 OF 4 | |

MATERIAL